

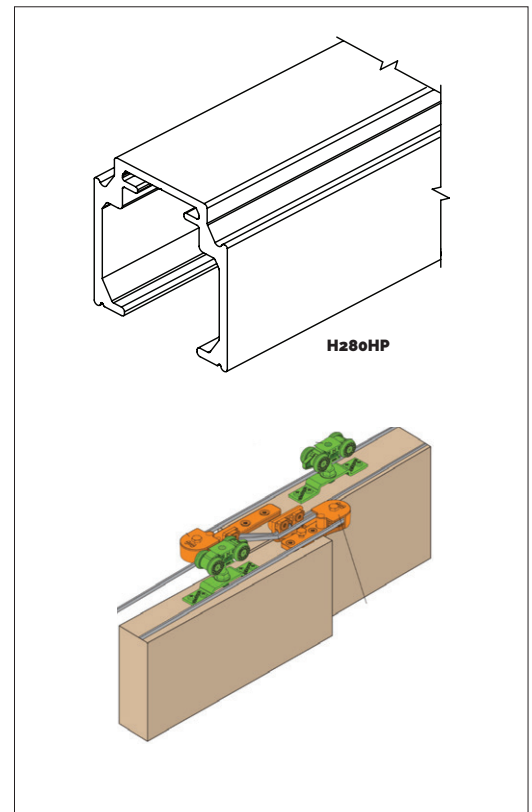
HUSKY PRO TELESCOPIC

HENDERSON

**For sliding timber and metal doors.
Max. 120kg.**

APPLICATION

- All doors connected to Husky Pro telescopic system will traverse simultaneously
- The door leaves are linked together via toothed belt and pulley system
- The telescopic HTELHP120/2 & HTELHP120/3 allow 2 & 3 door leaves to be concealed on the same side of the opening, maximising the opening and reducing the wall space required
- The HTELHP120/4SIM allows 2 leaves on either side of the opening
- The telescopic system is non-handed
- The system incorporates a covert ghost guide which keeps the walkway clear and free from trip hazards



HARDWARE SPECIFICATION		
HTELHP120/2 2 DOOR KIT (contains)	HTELHP120/3 3 DOOR KIT (contains)	HTELHP120/4SIM 4 DOOR SIM KIT (contains)
4 x Hangers (H284/HP)	6 x Hangers (H284/HP)	8 x Hangers (H284/HP)
2 x Track Stop (601HP)	2 x Track Stop (601HP)	2 x Track Stop (601HP)
1 x Short Arm	2 x Short Arm	2 x HH Stop Blocks
1 x Door mounted belt fixing bracket	2 x Door mounted belt fixing bracket	2 x Short arms
1 x Length of toothed belt	2 x Length of toothed belt	4 x Door mounted belt fixing bracket
1 x Following door guide	2 x Following door guide	16 meters x Toothed Belt
1 x Fixed base floor guide	1 x Fixed base floor guide	2 x Follower guides
1 x Long Arm	2 x Long Arm	2 x Long arms
1 x Wall mounted belt fixing	1 x Wall mounted belt fixing	2 x Wall mounted Belt fixing
	1 x Second door bracket	
Required extras		
H280HP Track: Track, Anodised Aluminium (2,3,4,6mtr lengths) Soffit fix spacing 600mm centres (maximum)		

DOOR SPECIFICATION	
Track System	Husky Pro
Max Door Weight	120kg
Min Door Width	500mm
Max Door Width	1200mm
Door Thickness	32-47mm

HUSKY PRO TELESCOPIC

DRAWING IS NOT TO SCALE

